

## Cable feed-through sleeve - HC-KDT 5-6 - 1644054


Please be informed that the data shown in this PDF Document is generated from our Online Catalog. Please find the complete data in the user's documentation. Our General Terms of Use for Downloads are valid (<http://phoenixcontact.com/download>)



Cable feed-through sleeves, for cable diameters of 5 - 6 mm, a cable binder can be used as strain relief



### Key Commercial Data

Packing unit	1 pc
Minimum order quantity	10 pc
GTIN	 4 017918 895914
GTIN	4017918895914
Weight per Piece (excluding packing)	5.300 g
Custom tariff number	39269097
Country of origin	Germany

### Technical data

#### Ambient conditions

Degree of protection	IP54
Ambient temperature (operation)	-40 °C ... 125 °C

#### General

Material	Thermoplastic rubber
Flammability rating according to UL 94	HB
Color	black

#### Standards and Regulations

Flammability rating according to UL 94	HB
--	----

#### Environmental Product Compliance

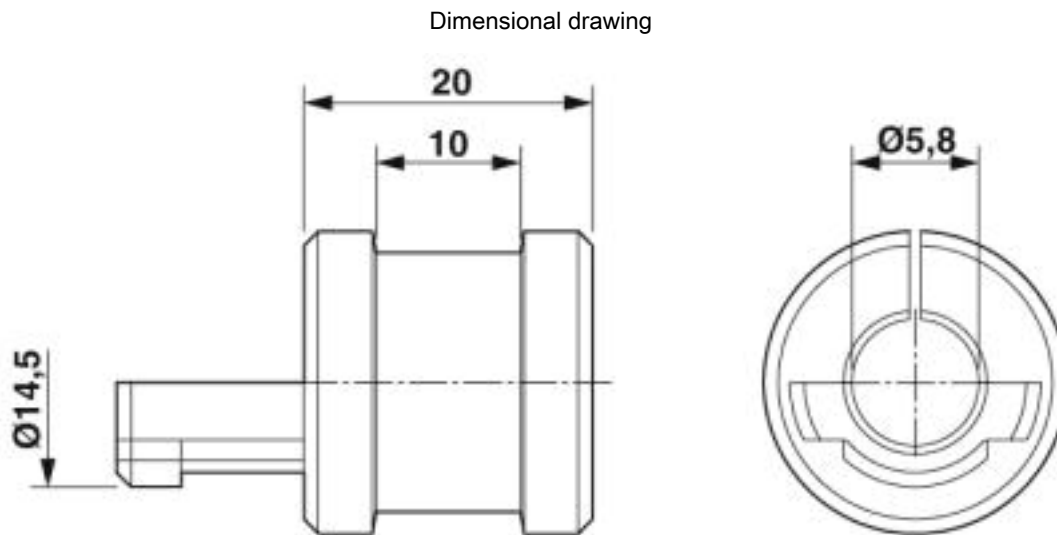
# Cable feed-through sleeve - HC-KDT 5-6 - 1644054

## Technical data

### Environmental Product Compliance

China RoHS	Environmentally friendly use period: unlimited = EFUP-e
	No hazardous substances above threshold values

## Drawings



Dimensional drawing

## Classifications

eCl@ss

eCl@ss 10.0.1	27144425
eCl@ss 4.0	27141200
eCl@ss 4.1	27141200
eCl@ss 5.0	27149100
eCl@ss 5.1	27149100
eCl@ss 6.0	27149100
eCl@ss 7.0	27069220
eCl@ss 8.0	27069220
eCl@ss 9.0	27144425

ETIM

ETIM 2.0	EC000441
ETIM 3.0	EC000441

# Cable feed-through sleeve - HC-KDT 5-6 - 1644054

## Classifications

### ETIM

ETIM 4.0	EC000441
ETIM 5.0	EC000451
ETIM 6.0	EC000451
ETIM 7.0	EC000451

### UNSPSC

UNSPSC 6.01	30211808
UNSPSC 7.0901	39121408
UNSPSC 11	39121408
UNSPSC 12.01	39121408
UNSPSC 13.2	39121448

## Approvals

### Approvals

---

### Approvals

### EAC

---

### Ex Approvals

---

### Approval details

EAC		RU C- DE.AI30.B.01102
-----	---	--------------------------